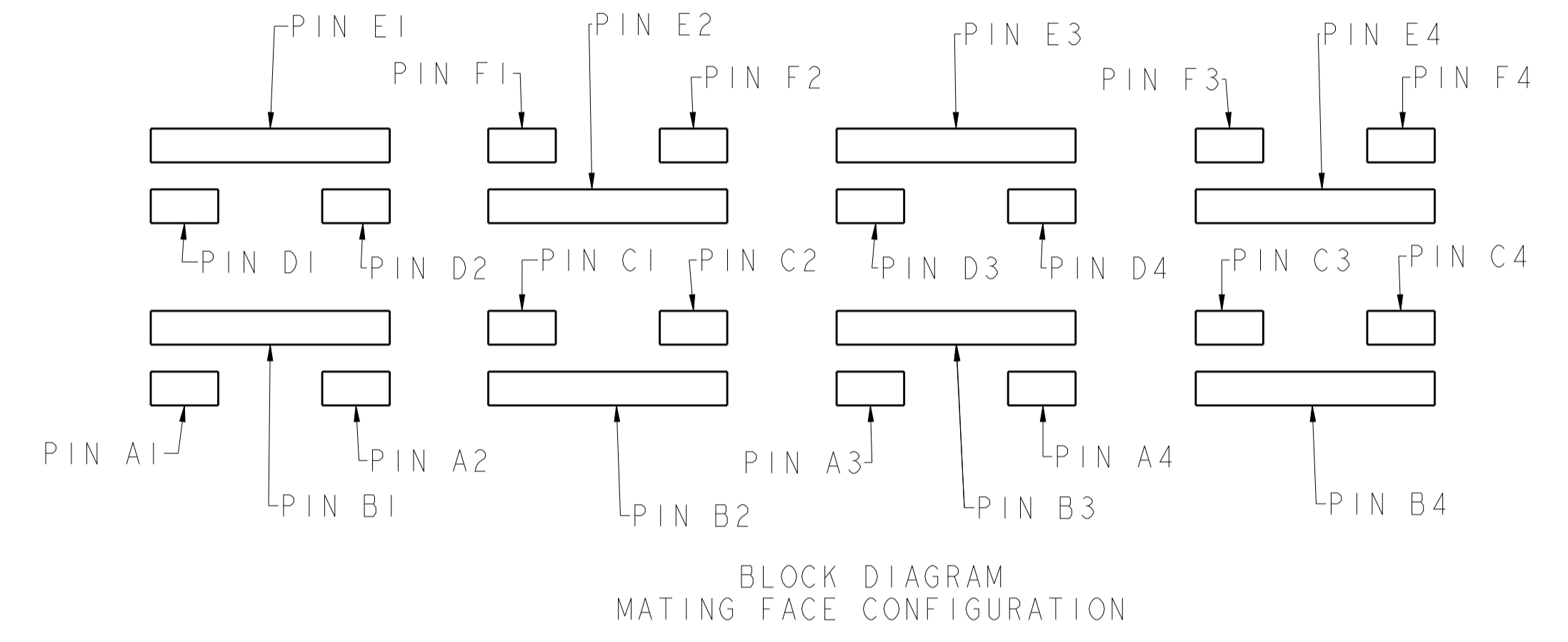
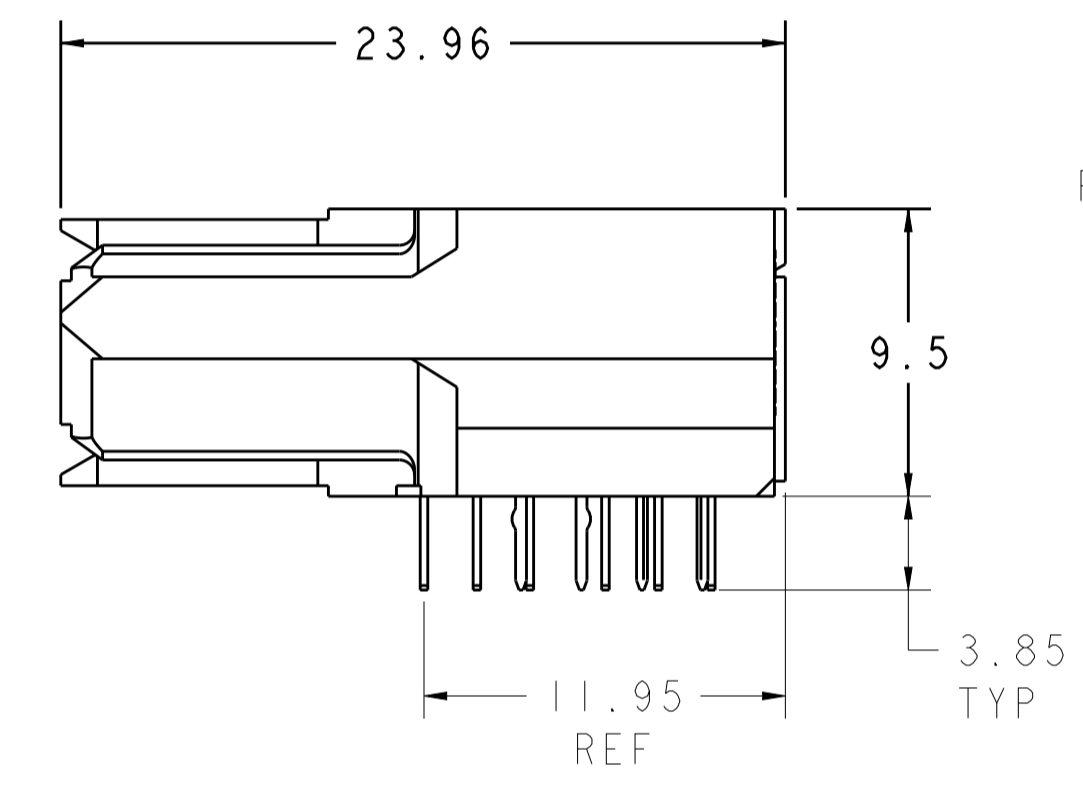
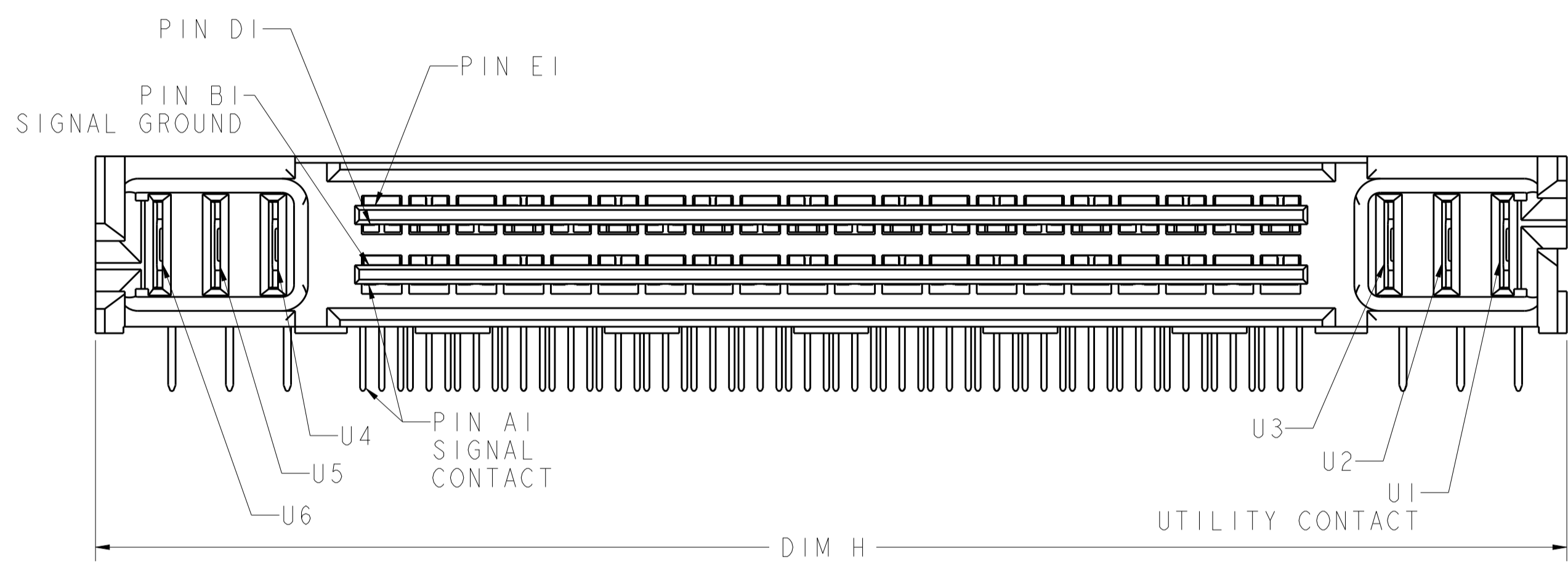
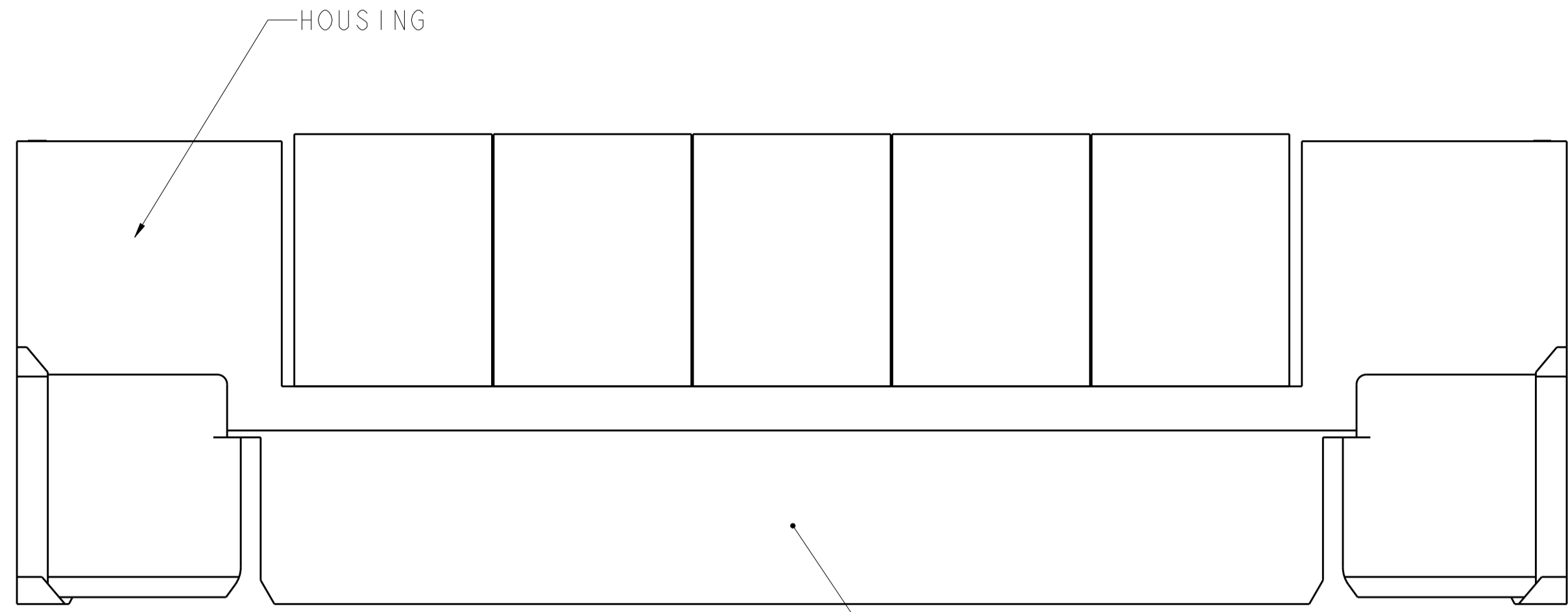
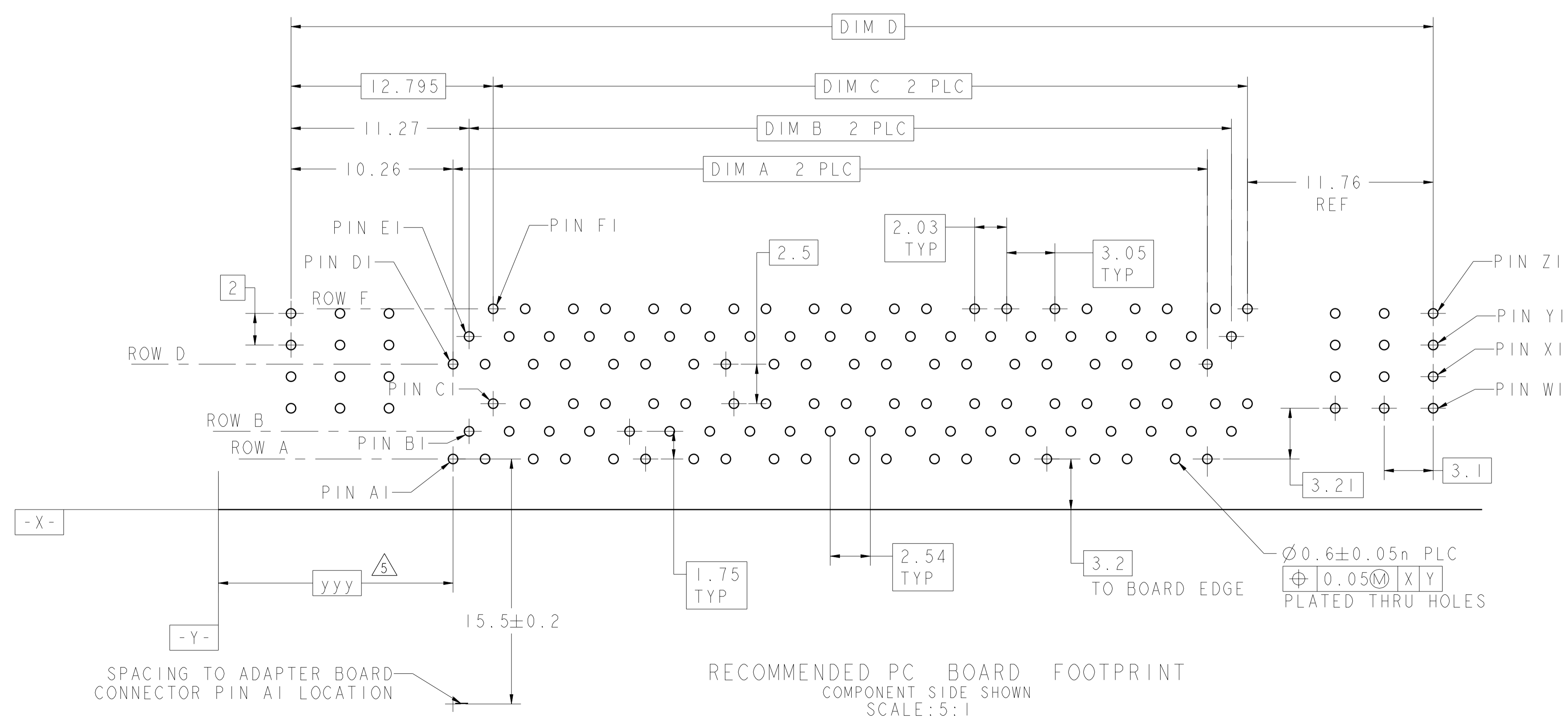


REVISIONS					
P	LTN	DESCRIPTION	DATE	DMN	APVD
B		REVISED PER ECO-08-015957	18AUG2008	ZMR	EDB
C		REVISED PER ECO-10-012356	09DEC2010	CJV	EJB
D		ECO-15-006497	08APR2016	LL	SH
E		ECO-16-005926	19APR2016	LL	SH

- △ HOUSINGS; POLYESTER, UL 94V-0 RATED, NATURAL
- SIGNAL AND SIGNAL GROUND CONTACTS: COPPER ALLOY
- UTILITY CONTACTS: PHOSPHOR BRONZE
- △ UTILITY CONTACTS: 0.76µm MIN GOLD IN CONTACT AREA,  
2.54µm MIN TIN ON PCB TAILS, OVER 1.27µm MIN NICKEL OVER ALL.
- SIGNAL AND SIGNAL GROUND CONTACTS: 0.76µm MIN GOLD IN CONTACT AREA,  
2.54µm MIN TIN ON PCB TAILS, OVER 1.27µm MIN NICKEL OVER ALL.
- 3. ROWS A, C, D, AND F ARE SIGNAL CONTACTS. ROWS B AND E ARE SIGNAL GROUND CONTACTS.
- △ CONNECTOR SIZE CAN ACCOMMODATE INDICATED QUANTITY OF DIFFERENTIAL PAIRS.
- △ DIMENSIONS PER CUSTOMER BOARD LAYOUT.
- △ COMPANY LOGO IN APPROXIMATE AREA SHOWN.
- △ OBSOLETE PART.



LOADED UTILITY CONTACTS						
NO	NO	YES	YES	YES	YES	2-6367550-7
YES	YES	YES	YES	YES	YES	<del>6367550-9</del>
YES	YES	YES	YES	YES	YES	6367550-8
YES	YES	YES	YES	YES	YES	6367550-7
YES	YES	YES	YES	YES	YES	<del>6367550-6</del>
YES	YES	YES	YES	YES	YES	6367550-5
YES	YES	YES	YES	YES	YES	<del>6367550-4</del>
YES	YES	YES	YES	YES	YES	<del>6367550-3</del>
YES	YES	YES	YES	YES	YES	6367550-2
YES	YES	YES	YES	YES	YES	6367550-1
U6	U5	U4	U3	U2	U1	PART NUMBER



N	H DIM	D DIM	B DIM	A OR C DIM	DIFF PAIRS	PART NUMBER
192	99.32	92.62	68.58	68.07	56	2-6367550-7
240	119.64	112.94	88.90	88.30	72	<del>6367550-9</del>
216	109.48	102.78	78.74	78.23	64	6367550-8
192	99.32	92.62	68.58	68.07	56	6367550-7
168	89.16	82.46	58.42	57.91	48	<del>6367550-6</del>
144	79.00	72.30	48.26	47.75	40	6367550-5
120	68.84	62.14	38.10	37.59	32	<del>6367550-4</del>
96	58.68	51.98	27.94	27.43	24	<del>6367550-3</del>
72	48.52	41.82	17.78	17.27	16	6367550-2
48	38.36	31.66	7.62	7.11	8	6367550-1

THIS DRAWING IS A CONTROLLED DOCUMENT. DWG: VAN SCIO, 09SEP05  
 CHK: E. BRIANT, 09SEP05  
 APVD: E. BRIANT, 09SEP05

TE Connectivity

NAME: Z-DOK+ HOST BOARD CONNECTOR ASSEMBLY, 8-72 SIGNAL DIFF. PAIR, 3 UTILITY CONTACTS PER SIDE

PRODUCT SPEC: 108-1985  
 APPLICATION SPEC: 114-13068

SIZE: A1  
 CAGE CODE: 6367550  
 DRAWING NO: 100779

MATERIAL: 1  
 FINISH: 2

CUSTOMER DRAWING

SCALE: 4:1 SHEET 1 OF 1 REV E